

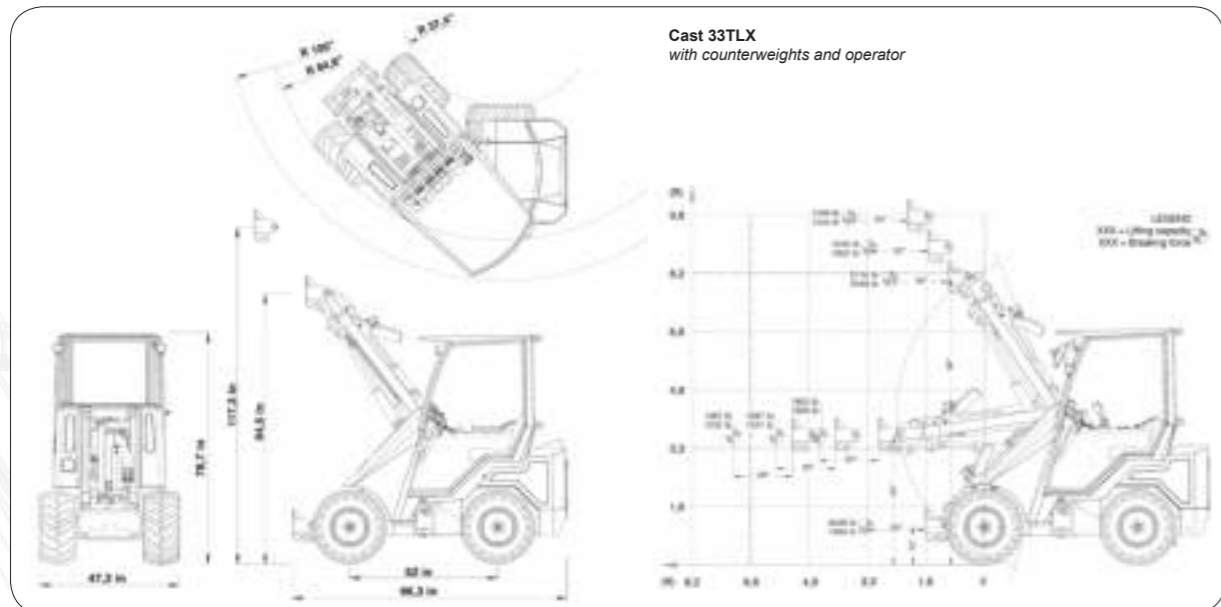
33TLX CARBON



33TLX CARBON

CASTLOADERS.IT

DIMENSIONS AND LOADING DIAGRAMS



PIEZA_33TLX_USA_01/2021

WHEELS

SKID	TRAC MASTER	TRACTOR	TURF
23X8.50-12 23X10.50-12 26X12.00-12	8PR 300/60X12	23X8.50-12 23X10.50-12 26X12.00-12	23X8.50-12 24X13.00-12 26X12.00-12 26.5X14.00-12

33TLX

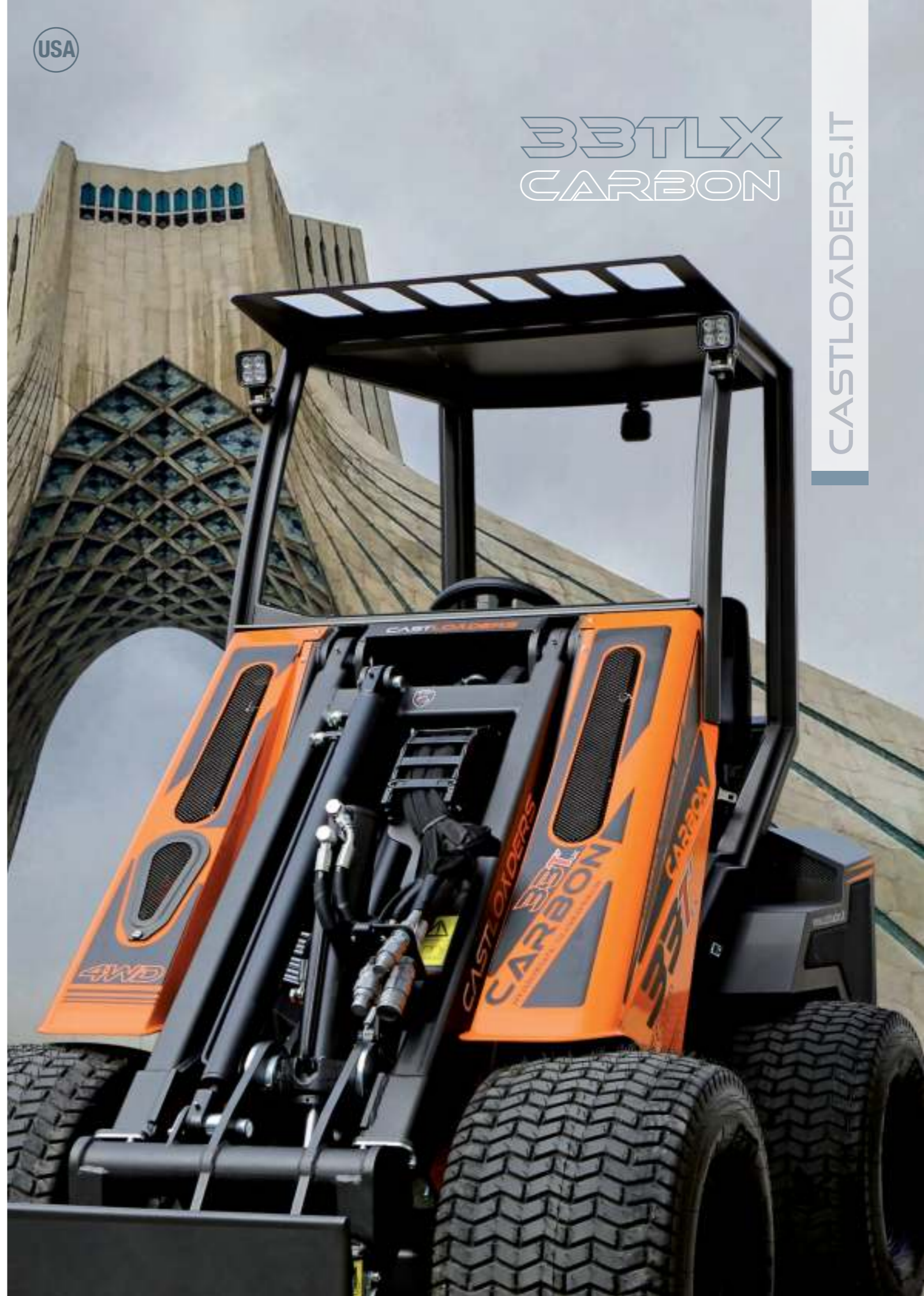
	LIFTING CAPACITY	ENGINE POWER	HYDRAULIC SYSTEM	BOOM HEIGHT
33TLX CARBON	2095 lbs (with counterweights)	25 Hp	11,22 gal/min	117,3 in



CASTGROUP
TNE Distributing

14490 Northdale Blvd
ROGERS, MN 55374
1-833-BUY-CAST
www.tnedistributing.com
info@tnedistributing.com

Data contained in this document is subject to change without notice and/or notification. Cast Group reserves the right to modify its products without obligation to communications. The images in this document are only a demonstrative purpose.



33TLX CARBON

Dual Speed

Engine Kubota D1305
 Speed 5,60÷12,43 mph @ 26,5x14.00-12 (Poclair)
 Hydrostatic transmission 4WD
 Electric differential lock
 Water cooling
 Metal hood and rear hood
 Self levelling
 Heated glass cabin (option)

LED working lights (2 on front+1 on back)
 "Universal" coupling plate
 12 V power outlet + front aux electric outlet (165W)
 Ergonomic seat with headrest and armrest+safety belts
 ROPS/FOPS protection
 Telescopic boom
 209 lbs integrated counterweights
 Turf wheels 26,5x14.00-12
 Weight: 3110 lbs
 Carbon Look dashboard
 Ergonomic Joystick
 Heated seat
 Sandblasted effect finishing
 New layout



Agriculture
 Breeding
 Green maintenance
 Building
 Road maintenance



Technology and safe driving
 in all conditions.

33TLX CARBON

The "Carbon-Look" finishing of the dashboard gives the machine greater sportiness and more aggressive configuration. The latest-generation ergonomic joystick is standard.

